



ACCESSIBLE BATHROOMS

# Wheelchair Transfer Air Massage Walk In Bathtub



EOH51292L Left Hand Door and Drain



EOH51292R Right Hand Door and Drain

Actual Size: 29.75" W x 51.25" L x 37.5" H  
Shipping Size: 34.5" W x 54.5" L x 44.5" H  
Shipping Weight: 290 lbs.  
Net Weight: 225 lbs. Water  
Capacity: 60 gal. unoccupied  
40-55 gal. occupied

**Options:**

- White or Biscuit Shell
- Left or Right Hand Door/Drain
- Soaking
- Hydro Massage
- Dual Massage

**Included Features:**

1. Tub Shell - High Quality Textured Acrylic Material
  - Excellent color uniformity
  - Durable textured acrylic surface
  - Fiberglass reinforced
2. Stainless Steel Frame
3. Low 6" threshold step in with the ability to raise it another 2"
4. 17" Seat Height
5. 23.75" Seat Width
6. Eight (8) adjustable heavy duty leveling legs support the stainless steel frame
7. Anti-slip floor for your safety
8. Aluminum Door and Frame
9. Two (2) built-in safety grab bars
10. Three (3) front removable access panels
11. Therapeutic Air Massage System:
  - Sixteen (16) therapeutic air massage jets
  - 0.66HP air blower with heater
  - On/off push control
12. Single Lever Faucet:
  - Metal construction valve body
  - 3/4" iron pipe thread hose connections
  - Hand shower and fill spout
  - Pivot action lever style handle
  - Faucet fill rate designed for 18 gpm flow (68.1L/min)
  - Hand shower designed for 1.9 Gpm flow (7.5L/min)
  - High flow ceramic temperature cartridge

**Plumbing:**

- 2" Quick Drain with overflow
- Large drain plunger with safety chain

**Electrical:**

One (1) 15 AMP Circuit. Total AMPS required is 8

**Warranty:**

- Lifetime warranty on door seal gasket, frame and shell
- 5 Year on on hardware and components\*

\*For more information please visit [www.ellasbubbles.com](http://www.ellasbubbles.com).

**Additional Components (Extra):**

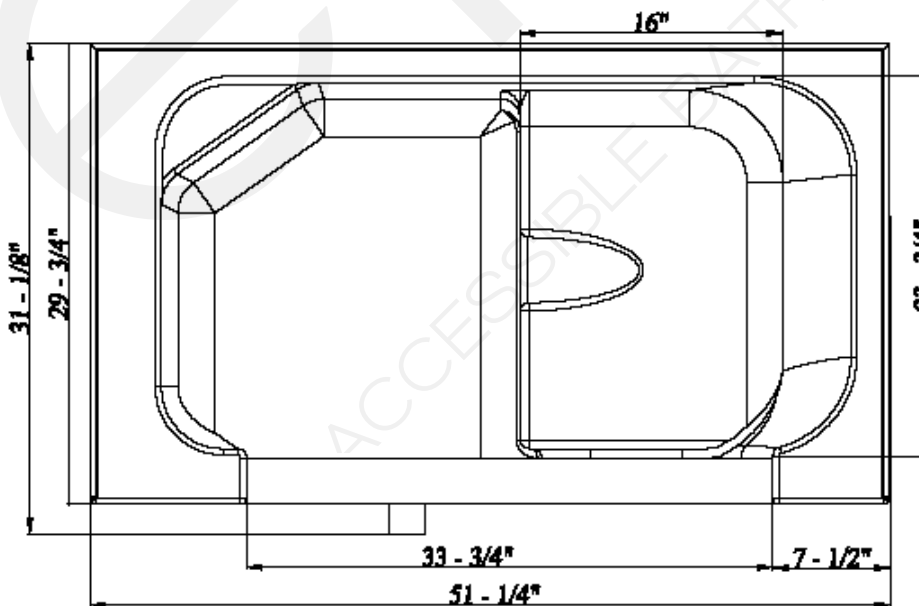
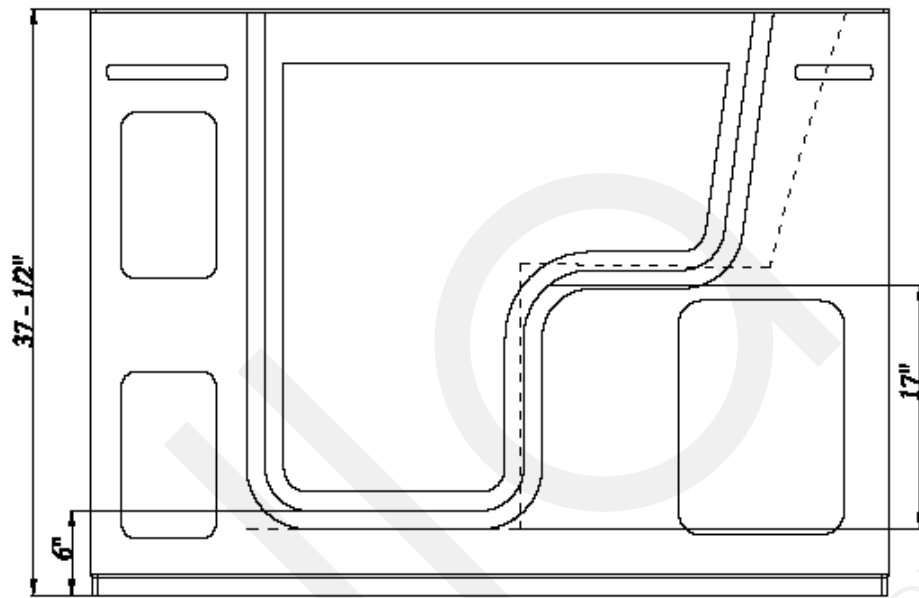
- E5129 ExtP L/R      Extension Panel
- E5129 EndP L/R      End Panel
- E5129 BackP          Back Knee Wall Panel
- E5129 Wall Kit        Wall Kit (Surround)



ACCESSIBLE BATHROOMS

# Wheelchair Transfer Air Massage Walk In Bathtub EOH51292L / EOH51292R

\*Left hand door and drain shown



Disclaimer:

In an effort to continually improve our product, specifications and configurations are subject to change without notice. Before ordering or installing, consider future access to essential equipment.



ACCESSIBLE BATHROOMS

# 2 Inch PVC Drain

Horizontal Drain - Brushed - With Chain  
Vertical Drain - Brushed - With Chain



**Dimensions:**

Horizontal .....42-1/2" x 3-1/8" x 1-1/4"  
Vertical .....42-1/2" x 3-1/4" x 1-1/4"

Weight ..... 4 lbs.

**Features:**

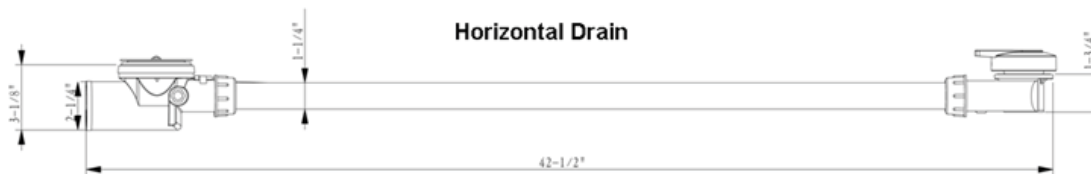
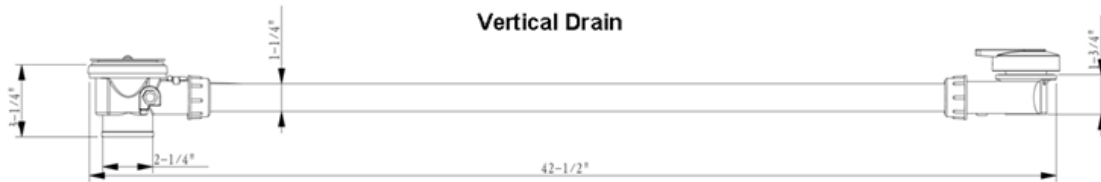
- 2" PVC Drain With Full Passage To Allow for Rapid Draining
- Horizontal Drain Allows Plumbing Flexibility Under Tub
- Vertical Drain Allows Reconnection To Same Location As Existing
- Drain Connects To 2" Piping
- Large Operating Handle
- Mechanical or Manual Plunger Operation
- Large Plunger With Safety Chain (included)
- 2" PVC Drain With Full Passage To Allow for Rapid

**Draining:**

- Manufactured In Compliance With ASME A112.18.2-2005/ CSAB125.2-05.
- IAPMO cUPC Approved
- CSA Approved

**In an effort to continually improve our product, specifications and configurations are subject to change without notice.**

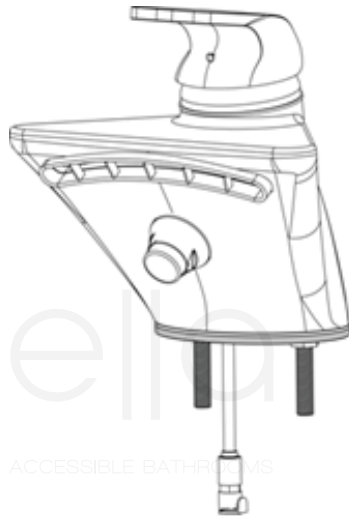
**Before ordering or installing, consider future access to essential equipment.**





ACCESSIBLE BATHROOMS

# Single Lever Valve



ella  
ACCESSIBLE BATHROOMS



### Dimensions:

Dimensions.....Refer To Drawing Below  
Weight ..... 17 lbs. (7.75 kg)

### Description:

- Metal Construction Valve Body
- 3/4" Iron Pipe Thread Hose Connections
- Hand Shower And Fill Spout
- Pivot Action Lever Style Handle
- Faucet Fill Rate Designed For 18 GPM Flow (68.1L/min)
- Hand Shower Designed For 1.9 GPM Flow (7.5L/min)
- High Flow Ceramic Temperature Cartridge

### Certification:

- Third Party Certified To Meet: CSA B125.1, ASME A112.18.1, ICC 117.1 And All Applicable Requirements Referenced Therein
- Certified to NSF/ANSI 61/9
- ADA For Lever Handle
- IAPMO R&T UPC Certified

**In an effort to continually improve our product, specifications and configurations are subject to change without notice.**

**Before ordering or installing, consider future access to essential equipment.**

